



Cleaning Instructions

The Mobilease Bath Bench can be cleaned with warm soapy water or a mild detergent.

Technical Data

Length: 28.5" (720mm) Approx
Width: 9.25" (235mm) Approx
Max. User Weight: 18st (114kg))

Manufactured for and distributed in the UK by:
Independent Living Aids Ltd, Edison Road, Hams Hall, Coleshill, Birmingham B46 1AB

For more products from the Mobilease daily living aids range, please refer to the Mobilease leaflet or visit our website www.mobilease.co.uk

Please check the website for updated instruction manuals.

After Sales Support:

UK / N. IRELAND HELPLINE NO. 00800 45672245
WEB SUPPORT www.mobilease.co.uk
BATCH NUMBER
DATE OF PURCHASE



Independent Living Aids Ltd is a member of the British Healthcare Trades Association (BHTA)



Version 2.0

Bath Bench User Instructions



Prior to use please read all instructions carefully.
Keep instructions in a safe place for future reference.
We recommend this equipment be installed by a competent person only.
Please make a note of your batch number in the designated space on the back page of this instruction sheet for future reference.
The batch number can be found on the product label located on one of the slats.

Mobilease Bath Bench



The Mobilease Bath Bench is designed to provide a support across the top of the bath as an aid to bathing, making it easier for anyone to lower themselves into or out of the bath.

Lightweight but durable the Mobilease Bath Bench is easily and securely locked into position through two adjustable brackets whilst the slats are tapered to encourage rapid drainage.

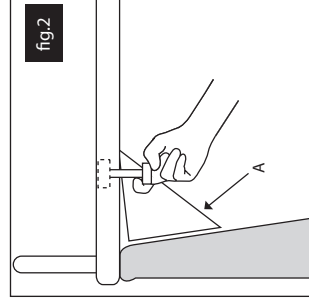
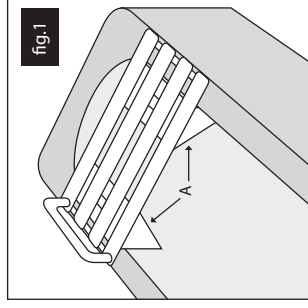
It is compatible with most types of standard baths, but not suitable for corner baths.

Assembly Instructions

Turn bath bench over so the handle is facing downwards. Position bolt between central slats from the underside so the thread is facing upwards. Ensure bolt is positioned correctly (See Fig X). Place bracket so the threaded bolt protrudes through the preformed holes, ensuring the rubber pads are facing outwards (See Fig 2), loosely attach nut ensuring bracket can still move freely for final positioning. Repeat procedure for second bracket.

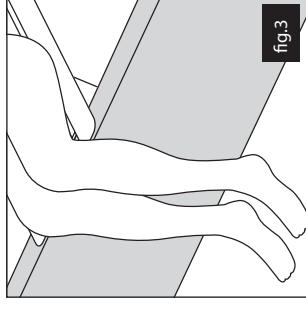
Fitting instructions

Now turn the bath bench over and place it loosely across the width of the bath, ensuring that the edges of the bench are resting on either edge of the bath. Now slide the brackets towards the verticle sides of the bath so that the brackets come to sit snug against the bath sides. Now turn the nuts firmly to secure the brackets in place, taking care not to overtighten.

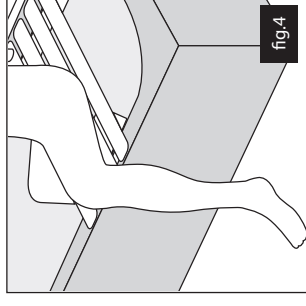


Check that the nuts are secured well, being careful not to over tighten.

Using the Mobilease Bath Bench



Now sit on the bath bench and move your bottom back towards the middle of the bench.



Slowly lift your legs one at a time over the bath edge into the bath.

Placing your hands flat on the bench or using the handle provided, move your bottom across the bath bench until seated in a central position.

Safety and Maintenance Instructions

Not suitable for use by anyone weighing more than 18st (114kg).

Check that the bath bench is the correct size for the bath, whilst being fully supported either side by the bath's edges.

The bath surface should be clean, dry and free from oil, soap or other residue.

The optimum position for the board is the bath end opposite the taps.

Excessive overhang must be avoided or tipping may occur.

The bath bench should not be fitted to any bath where the brackets do not come into full contact with the vertical sides of the bath.

Always ensure the Mobilease Bath Bench is securely fitted to the bath by a competent person prior to use.

Check before each use for any damage/wear and tear, if found to be damaged do not use. Care should be taken to avoid any body parts getting trapped between the slats of the bench.

Keep out of direct sunlight to avoid UV degradation.

Not suitable for children.